

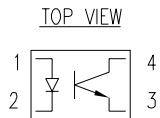
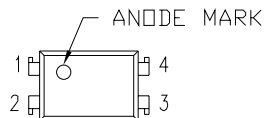
UNCONTROLLED DOCUMENT

PART NUMBER
OCP-PCT114/X

REV.

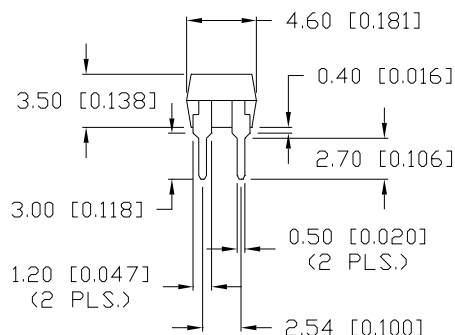
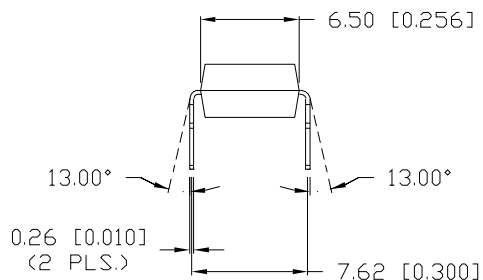
REV. E.C.N. NUMBER AND REVISION COMMENTS

DATE



- NOTES:
1. ANODE
 2. CATHODE
 3. EMITTER
 4. COLLECTOR

CAUTION: STATIC SENSITIVE DEVICE
FOLLOW PROPER E.S.D. HANDLING PROCEDURES
WHEN WORKING WITH THIS PART.



PART NUMBER TABLE	
PART= /X	CTR (%)
/A	60 TO 160
/B	130 TO 260
/C	200 TO 400
/D	300 TO 600
/E	60 TO 600

ABSOLUTE MAXIMUM RATINGS (Ta=25°C)				
PARAMETER	SYMBOL	MAX	UNITS	
I	FORWARD CURRENT	If	50	mA
	PEAK FORWARD CURRENT	IfM	1	A
	REVERSE VOLTAGE	Vr	6	V
	POWER DISSIPATION	Pd	70	mW
O	COLLECTOR-EMITTER VOLTAGE	Vceo	60	V
	EMITTER-COLLECTOR VOLTAGE	Veco	6	V
	COLLECTOR CURRENT	Ic	50	mA
	COLLECTOR POWER DISSIPATION	Pc	150	mW
	TOTAL POWER DISSIPATION	Ptot	200	mW
	ISOLATION VOLTAGE 1 MIN.	Viso	5000	V RMS
	OPERATING TEMPERATURE	Topr	- 30 TO + 100	°C
	STORAGE TEMPERATURE	Tstg	- 55 TO + 125	°C
	SOLDERING TEMPERATURE	Tsol	+ 260	°C
	2.0mm FROM BODY			10 SEC. MAX

I=INPUT, O=OUTPUT.

ELECTRO-OPTICAL CHARACTERISTICS (To=25°C)						
PARAMETER	SYMBOL	CONDITIONS	MIN	TYP	MAX	UNITS
I	FORWARD VOLTAGE	Vf		1.2	1.4	V
	PEAK FORWARD VOLTAGE	VfM			3.5	V
	REVERSE CURRENT	Ir			10	µA
	TERMINAL CAPACITANCE	Ct		30		pF
O	COLLECTOR DARK CURRENT	IcEO			10 ⁻⁷	A
T	CURRENT TRANSFER RATIO	CRT	60		600	%
	COLLECTOR-EMITTER SATURATION VOLTAGE	VCE(sat)		0.1	0.3	V
	ISOLATION RESISTANCE	Riso	5x10 ¹⁰	10 ¹¹		ohm
	FLOATING CAPACITANCE	Cf		0.6	1.0	pF
	CUT-OFF FREQUENCY	fc		80		kHz
	RESPONSE TIME (RISE)	tr		5	20	µS
	RESPONSE TIME (FALL)	tf		4	20	µS

I=INPUT, O=OUTPUT, T=TRANSFER CHARACTERISTICS.

UNCONTROLLED DOCUMENT

*UNLESS OTHERWISE SPECIFIED TOLERANCE IS ±0.25mm (±0.010")

REV.

PART NUMBER

OCP-PCT114/X

CONFIDENTIAL INFORMATION
THE INFORMATION CONTAINED IN THIS DOCUMENT IS THE PROPERTY OF LUMEX INC. EXCEPT AS SPECIFICALLY AUTHORIZED IN WRITING BY LUMEX INC., THE HOLDER OF THIS DOCUMENT SHALL KEEP ALL INFORMATION CONTAINED HEREIN CONFIDENTIAL AND SHALL PROTECT SAME IN WHOLE OR IN PART FROM DISCLOSURE AND DISSEMINATION TO ALL THIRD PARTIES.

RELIABILITY NOTE

OUR MANY YEARS OF EXPERIENCE DATA ACCUMULATION INDICATE THAT SOLDER HEAT IS A MAJOR CAUSE OF EARLY AND FUTURE FAILURE. PLEASE PAY ATTENTION TO YOUR SOLDERING PROCESS.

LUMEX
INCORPORATED

290 E. HELLEN ROAD
PALATINE, ILLINOIS 60067
PHONE: 1-847-359-2790
WEB: HTTP://WWW.LUMEX.COM

DRAWN BY: CK/DU CHECKED BY: APPROVED BY: DATE: 9-29-99

PAGE: 1 OF 1

SCALE: N/A

FOUR PIN DIP SINGLE CHANNEL PHOTOCOUPLER,
TRANSISTOR OUTPUT, NO EXTERNAL BASE CONNECTION.